

Test Report

for GPS L1/ GLONASS L1 ANTI-JAMMING AVIATION ANTENNA



Model: HXAT00GGAIV40A

Chengdu HAI XIN MICROWAVE Technology Co., Ltd

Add: Chengdu 610091, China

Tel: +86-28-87089208

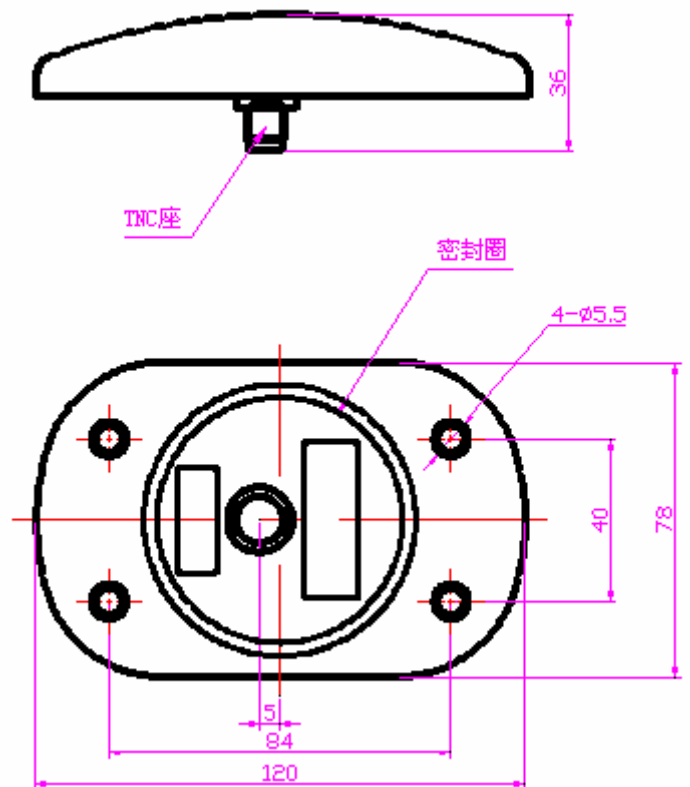
Website: www.hxmicrowave.com

Fax: +86-28-87089208

Email: sale@hxmicrowave.com

Specification

1. Frequency: GPS L1:1575.42MHz±5MHz
GLONASS L1:1602MHz±8MHz
2. Pattern:
Azimuth: Omnidirectional
Elevation: Hemispherical
3. LNA Gain: 36dB±2dB
4. REJECTION:>30dB@1200MHz~1450MHz
5. Polarization: Right-hand circular
6. AR: ≤3dB
7. Noise: ≤2dB
8. Impedance : 50 Ω
9. VSWR : ≤2:1
10. Power requirements: Voltage: 3~5VDC
Current: ≤40mA
11. Connector: TNC female
12. Operating Temperature : -40℃~+85℃
13. Store Temperature : -55℃~+85℃
14. Weight: ≈ 200 g
15. Size: 120mm×78mm×36mm



Test Instruments

Agilent 83630B
HP8563E
HP8720D

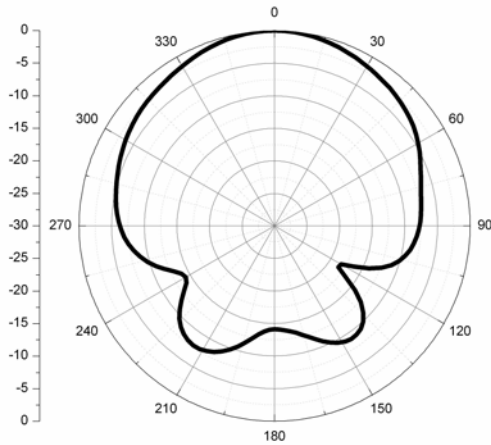
Test Results

1. Gain

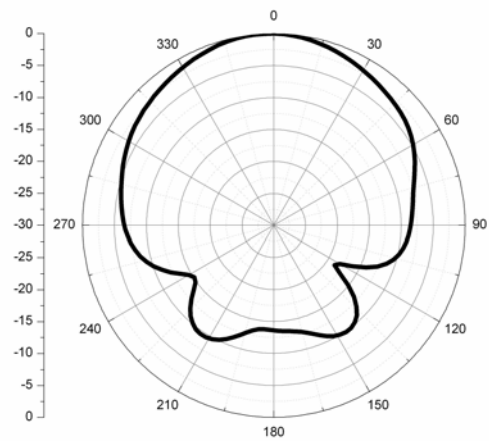


Frequency (GHz)	Gain (dBic)
1.575	41.5
1.602	41

2. Pattern



Feq:1575MHz



Feq:1602MHz